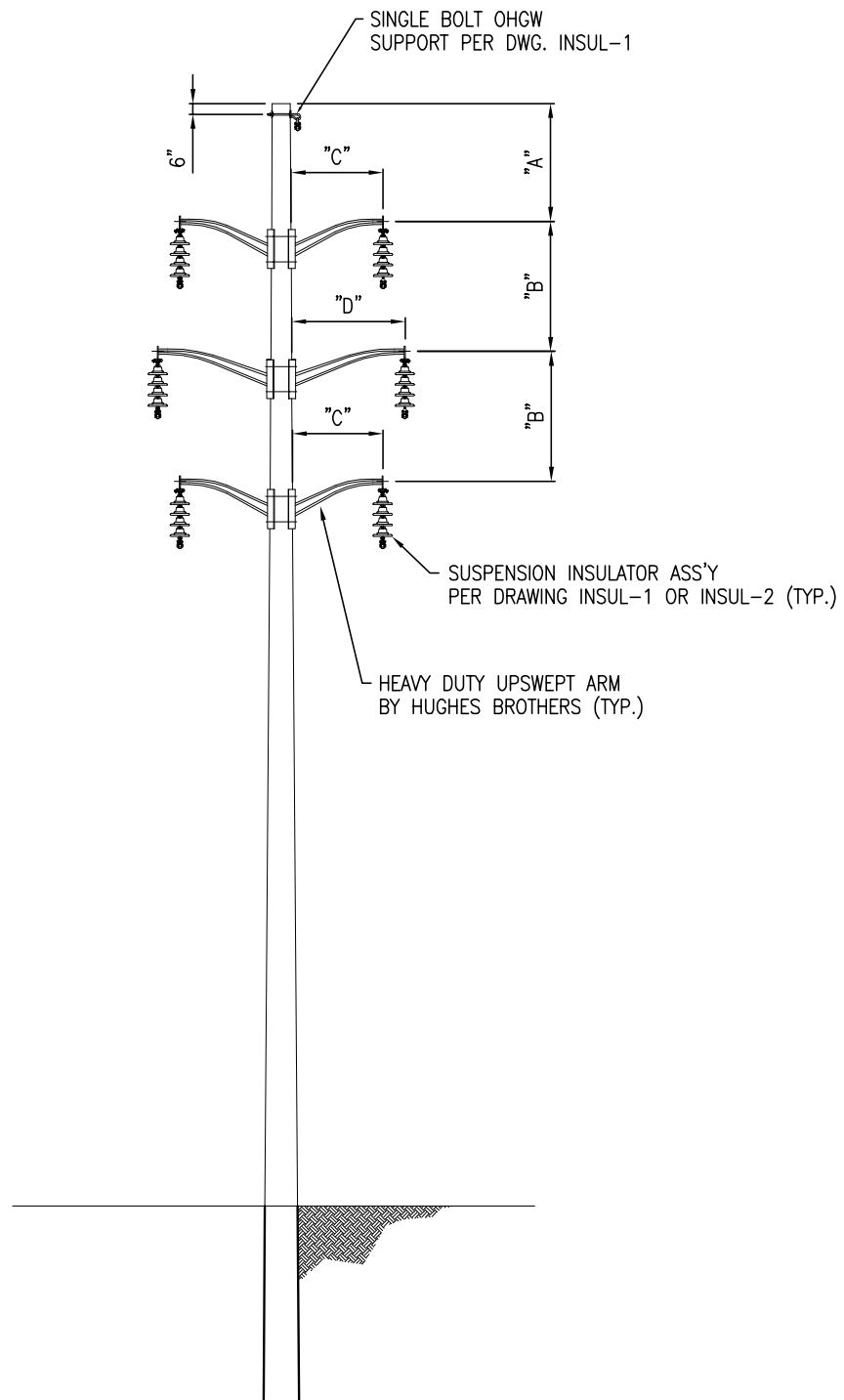


Roaring Brook Wind Power

Town of Martinsburg - Lewis County, New York

Appendix A - Turbine Dimensions - Gamesa G90

Notes: Plans provided by Gamesa Eolica.



UA-SA: UPSWPET ARM SMALL ANGLE
0°-4° ANGLES

SCALE: N.T.S.

